



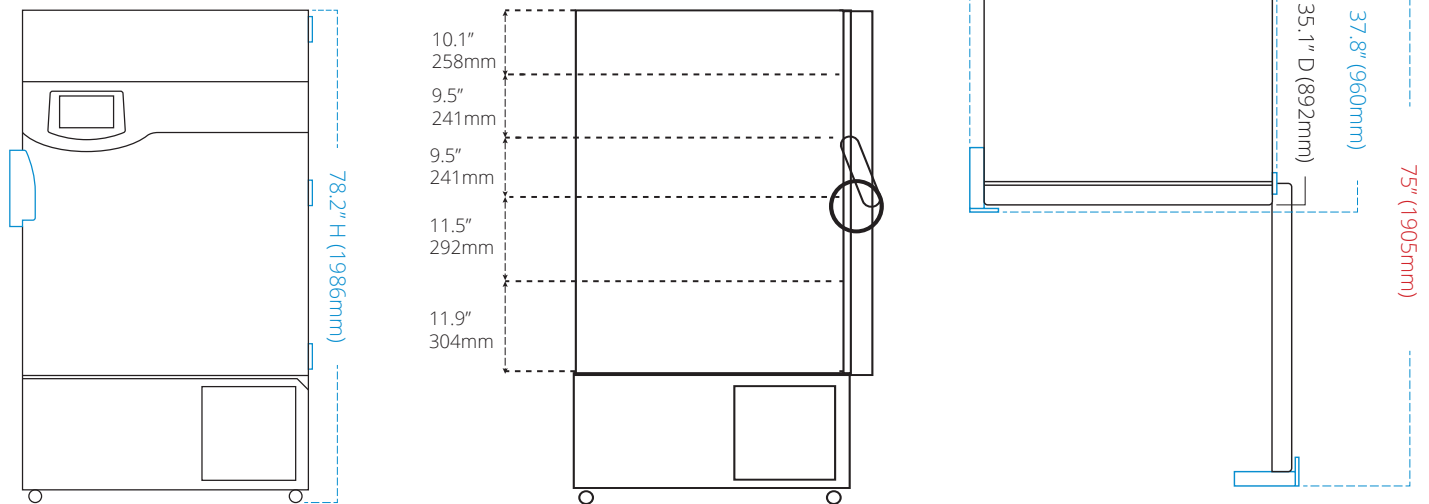


Model Number
i.Series® iUF126-GX

Application, Rating, and Electrical Data		Typical Performance Characteristics at 25° Ambient	
Application	Storage of biological samples including blood and tissue	Energy Consumption (kWhr/day @-75°C)	11.65
Storage Volume/Capacity	26 cu ft (736 liters) / 528 standard 2" (51mm) boxes	Heat Rejection / Emission BTU/hr (watts)	2,897 / 848
Temperature Range	-50°C to -86°C @ 22°C (72°F) Ambient	Noise Emission / Sound (dB)	58
Electrical Power	115V 60 Hz / 220-240V 50/60Hz	Average Temperature Variance (Uniformity) (°C) -70°C to -80°C setpoint @ 25°C to 32°C ambient Throughout operational/ambient range	8 10
Maximum Current	8.9A (115V), 4.7A (220-240V)	15-sec Door Opening Recovery to -79°C (min)	33.96
Building Supply Rating	Grounded outlet on a dedicated circuit, meeting plug/cord ratings and electrical safety codes/req. 115V AC: 15 A (min) 220-240V AC: 10 A (min)	Peak Variation (Energy Star®) (°C)	16.24
Power Plug/Power Cord	NEMA 5-15 hospital-grade 115V 60Hz, 8-10 ft (2.4-3M). Inquire about other plug/core options	Pull Down Time (to -80°C (hrs)	12.88
Certification/Agency Listing	QPS (Certified to UL and CSA Standards) FDA Class II medical device	Warm Up Time (-80°C to -50°C) (min)	207
Application Environment	Indoor use only. Non-residential. Non-corrosive, non-flammable, non-explosive 15°C to 32°C (59°F to 90°F)		
Refrigeration System		iUF126-GX Uniformity (-80°C setpoint; 25°C ambient)	
Refrigeration System	Two Stage Cascade System		
Compressor/Number	1.0 HP hermetic, variable speed (VCC) / 2		
Condenser Type	Air-cooled fin and tube / 1		
Expansion Device	Cap tube - high and low stage		
Evaporator Type	Split, cold wall		
Defrost Method	Manual		
Refrigerant (Low/High Stage)	EU F-Gas and EPA SNAP compliant natural hydrocarbon refrigerants High Stage: R290 (propane) Low Stage: R170 (ethane) and R290 (propane)		
Environmental Effects	R170 GWP: 5.5 / ODP 0 R290 GWP: 3.3 / ODP 0		
Controller			
Interface	i.C3®, eye-level, color touchscreen		
Power Switch	On/Off with circuit breakers		
Controller Type	Microprocessor with touchscreen input and display. Includes USB hub for data retrieval		
Security	Lockable door, PIN access control, password setpoints, padlock hasp		
Compressor Safeguard	High ambient temperature warning, compressor and condenser over-temperature alarms		
Control Sensor	RTD (stainless steel) (1 ea)		
Communication Ports	USB, Remote alarm contacts, RJ45 (Ethernet). API available for Ethernet connectivity development		
Warm/Cold Alarms	Fully adjustable		
Logs	Event log (inc alarms and door openings), temperature log, access log, download via USB		
Battery Backup	20 hour display and alarm battery back-up for i.C3® touchscreen (12V, lead acid battery)		

Model Number
i.Series® iUF126-GX

Construction		Options / Accessories	
Insulation	Vacuum Insulated Panels	Chart Recorder Chart Paper LN2 and CO2 backup systems Remote alarms Screen protectors USB flash drive Cryo gloves Temperature validation Extended warranty	Racks Boxes Dividers Blood storage canisters/racks Vial storage boxes/racks Tube and microplate racks
Door / Seal	1, solid with vacuum relief port		
Access Ports	2, external		
Perimeter Heater	Hot gas loop		
Compartments / Inner Doors	5		
Casters / Legs	Swivel, locking / leveling legs		
Dimensions		Regulatory	
Interior (w x h x d) in mm	34.3 x 54 x 25.3 (872 x 1373 x 643)	   	
Exterior (w x h x d) in mm	40.2 x 78.2 x 35.1 (1020 x 1986 x 892)		
Exterior (w x h x d) in mm Incl. handle, casters, hinge	43.8 x 78.2 x 37.8 (1113 x 1986 x 960)		
Shelves / Capacity (w x d) in mm	4 adj stainless steel, 33.8 x 21.8 (859 x 554) 160 lb (73kg) max cap.		
Net Weight / Shipping Weight	661 lb (300 kg) 764 lb (347 kg)		
Clearance Requirements	Allow 4" (102mm) behind unit Allow 8" (203mm) above unit Side clearance may be needed: - Allow 5" between left cabinet wall and facility wall for key lock access - Allow 7" between cabinet walls of adjacent freezers for unobstructed door swing		



Product Life Cycle - Designed for 10 year service life
 Reli.Warranty (US/Canada) - 5 years compressor, 2 years parts and labor
 Warranty Outside US/Canada - Consult your local representative

Freezer performance in nominal and individual units may vary
 Freezer performance may differ due to product size, amount, and operating conditions